

CMCP730D

Universal Signal Conditioner/Relay Module with LCD Display



Features:

- Voltage, Current, RTD or Thermocouple Input
- Local LCD Display
- Local Alert and Danger Indicators
- 4-20mA Output
- Two Relay Outputs
- Latching/Non-Latching Alarms
- Adjustable Time Delay
- Din Rail Mountable
- 22.5mm Housing

Typical Applications

The CMCP730D Programmable Universal Relay and Display Module accepts inputs from any DC Voltage, Current, RTD or Thermocouple sensor and provides two levels of alarms and a 4-20mA output for PLC, DCS, SCADA or other control systems. The CMCP730D is user programmable and features a local display which shows the overall value of its associated sensor. The CMCP730D can be paired with a signal conditioner (for example CMCP700 series) and serve as the monitor unit with Relays and local Display. A temperature sensor or 4-20 mA output sensor can be directly connected to the CMCP730D.

Technical Performance

Input:

Voltage:	0-40VDC Max. Input Range
Current:	0-20mA Max. Input Range
RTD:	PT100 or PT1000 (2, 3 or 4 Wire)
Thermocouple:	Type K, J, R, S, N, N, B or T

Output:

Accuracy:	4-20mA or 0-5VDC
Relays:	1% of Full Scale
Relay Function:	2 Form C, SPDT, 5 Amps @ 30VDC/250VAC
Alarm Indication:	Latching or Non-Latching
Programming:	Two LED Indicators (Alert and Danger)
	Push Button (Front Panel)

Electrical

Power Requirement:	+16 to +30Vdc (24Vdc Nominal)
Current:	110mA Max (24mA Nominal)
Input Impedance:	15 Ohms

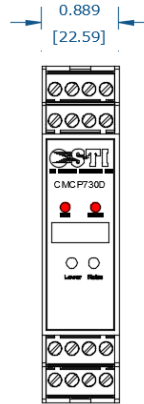
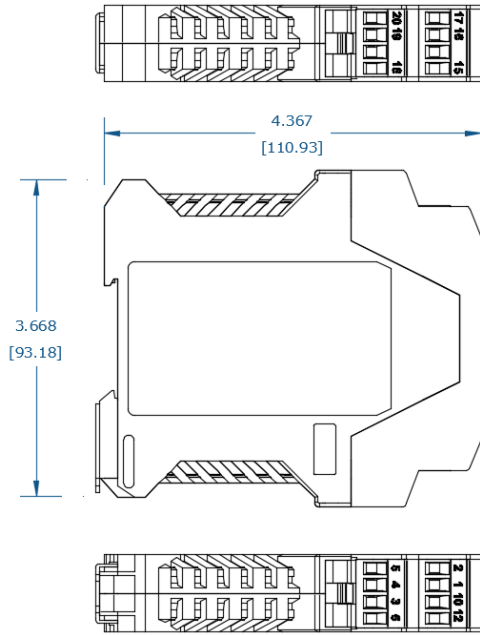
Environmental

Operating Temperature Range:	-4 to 131°F (-20 to 32°C)
Storage Temperature Range:	-40 to 175°F (-40 to 80°C)
Humidity:	0-95% Non-Condensing
Certifications:	CE, RoHS3

Mechanical

Case Material:	Polycarbonate
Mounting:	Din Rail
Terminals:	Screw Terminals
Weight:	6.0 Ounces (170g)

Dimensions and Wiring



Terminal Connections

- 1: 0V
- 2: +24V Power Input
- 3: Signal +
- 4: Signal 0V
- 5: Sensor Power (+24V)
- 6: N/A
- 10: mA Output -
- 12: mA Output +
- 15: Alert Relay (Normally Open)
- 16: Alert Relay (Normally Closed)
- 17: Alert Relay (Armature)
- 18: Danger Relay (Normally Open)
- 19: Danger Relay (Normally Closed)
- 20: Danger Relay (Armature)

Ordering Information:

CMCP730D

Programmable Universal Relay and Display Module

Similar Products:



CMCP700S-CV
Case Vibration Transmitter
(Accelerometer, Velocity Sensor Input)



CMCP700S-RV
Radial Vibration Transmitter
(Proximity Probe Input)



CMCP700S-DC
DC or Thrust Position Transmitter
(Proximity Probe or DC Signal Input)



Distribuidor Autorizado

contacto@smartcondition.mx

www.smartcondition.mx

Cel. (493) 106 9062

Cel. (493) 114 1974