

CMCP200RTD Temperature Sensing Accelerometer Mounting Pad

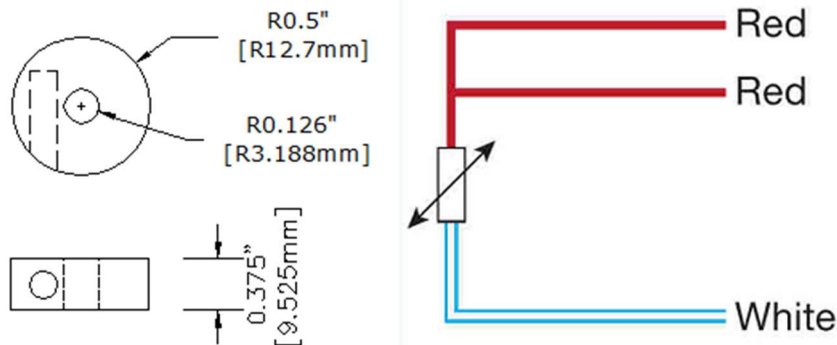
Features:



- Accelerometer Mounting Pad
- 3-Wire 100 Ohm Platinum RTD
- -40° to 225°C (-40° to 437°F)
- 1.4 mA, ±3850 ppm/°C
- Conformal to DIN EN 60751 Class A
- Integral Armored Braided Wire
- 5, 10, 20 Meter Lengths
- White/Red/Red Teflon Leads
- 316SS 1" Dia. x 0.375 H
- Through Hole for ¼"-28 Stud or Bolt
- 16 RMS Finish for Accelerometer

The CMCP200RTD 100 Ohm Platinum Mounting Pads are designed to make it easy to add a Temperature measurement to your existing Accelerometer installation. They can be used for both new installations and retrofit. The CMCP200RTD has a center clearance hole for ¼"x28 UNF so that the cable exit can be in the best possible location. For standalone temperature monitoring prepare the surface area as you would for an accelerometer and epoxy or bolt pad to the bearing surface. For accelerometer installation use a 1" long ¼"x28 UNF Stud and the Accelerometer will act as the nut.

Dimensions:



Typical Applications:

Fans, Motors, Pumps, Compressors, Centrifuges, Conveyors, Air Handlers, Gearboxes, Rolls, Dryers, Presses, Cooling, HVAC, Spindles, Machine Tooling, Process Equipment and many more.

Ordering Information:

CMCP200RTD	-05	5 Meter Integral Extension Cable
	-10	10 Meter Integral Extension Cable
	-20	20 Meter Integral Extension Cable

**Smart
Condition**

Distribuidor Autorizado
contacto@smartcondition.mx
www.smartcondition.mx
Cel. (493) 106 9062
Cel. (493) 114 1974

Rev 4/21/18-v1